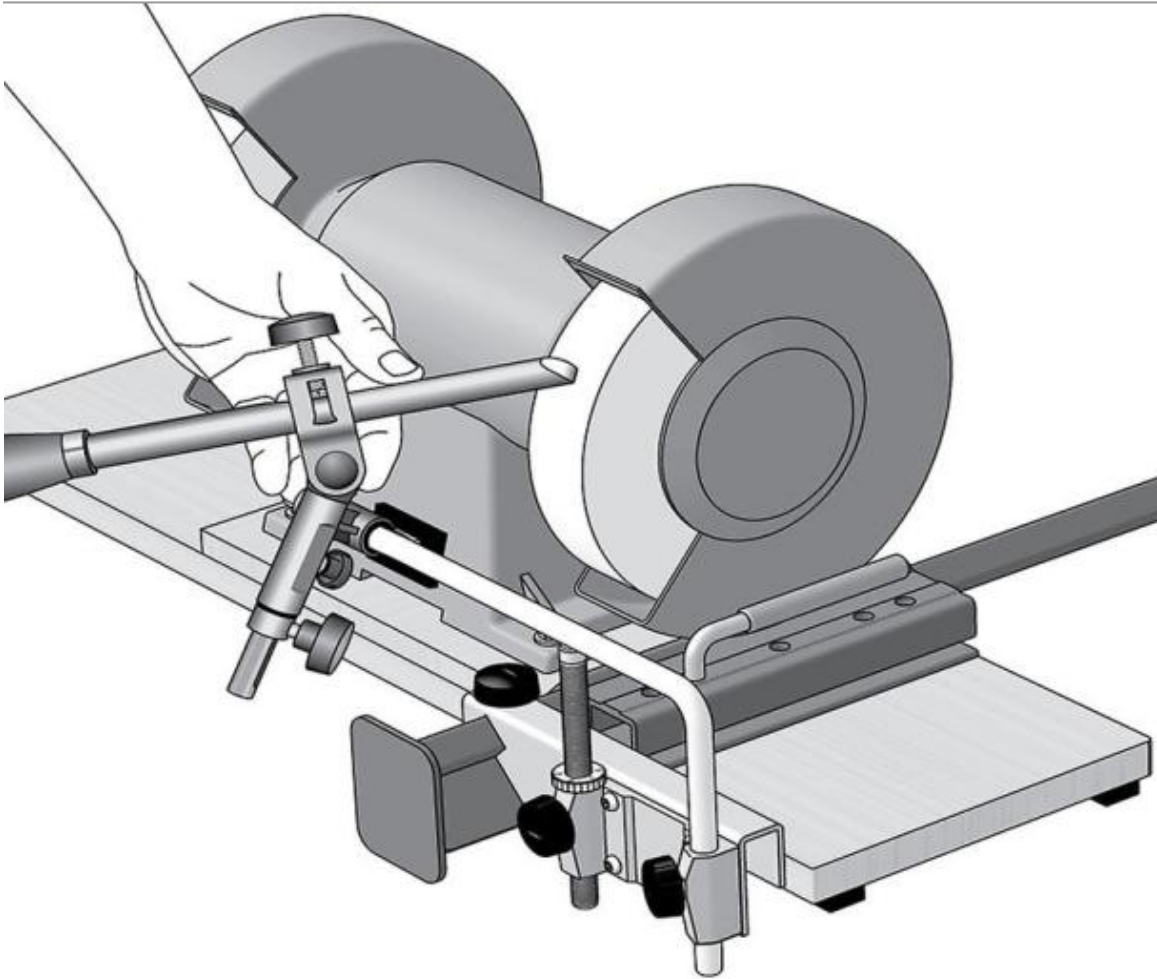


Tormek OWC-1 Converter-



The OWC-1 Tormek Converter is an attachment that makes it possible to use the Tormek jig system directly on a bench grinder with a Wolverine Vee-Arm, together with the BGM-100 Bench Grinder Mounting Set.

Why OWC-1 Tormek Converter?

- Allows you to use the SVD-186 R Gouge Jig, SVS-50 Multi Jig, SVD-110 Tool Rest and TTS-100 Turning Tool Setter on a bench grinder with a Wolverine Vee-Arm.
- Reshape the tool profile quickly and easily on your bench grinder.
- Keep the same jig setting when sharpening on your Tormek as when you shaped the tool on the bench grinder.
- Easy to use.
- Works with most standard bench grinders with a Wolverine Vee-Arm and the correct grinding wheel.

Tormek OWC-1 Converter-



Overview and features

Auckland
19 Allens Road, East Tamaki
Auckland 2013
Ph (09) 271 7700
Fax (09) 271 7728

Christchurch
159 Ferry Road, Waltham
Christchurch 8011
Ph (03) 366 2013
Fax (03) 366 2021

Call free: 0800 522 577
Copyright © 2024 W & R Jack Limited.

